

Electrical drawing

IS-033 400V-480V

Page title: Front Page

Project title: Baader IS-033 400V-480V

Project no.: EL.IS-033.400V.R10

Filename: Baader IS-033 400V R10

Last correction: 5.1.2015

Constructor Guðbrandur

Designer Guðbrandur

Drawing Jón Valur Valsson

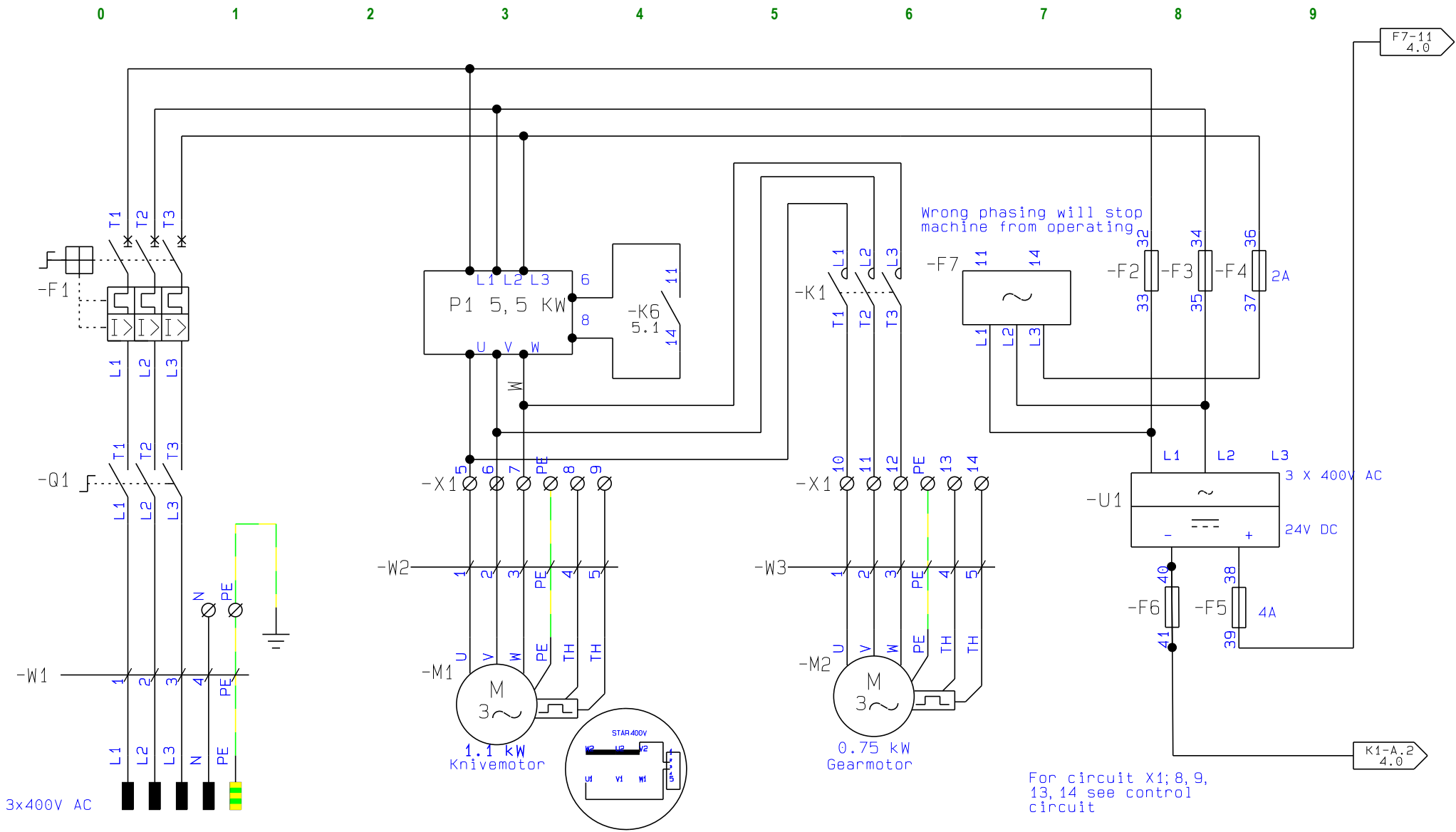
Page 1

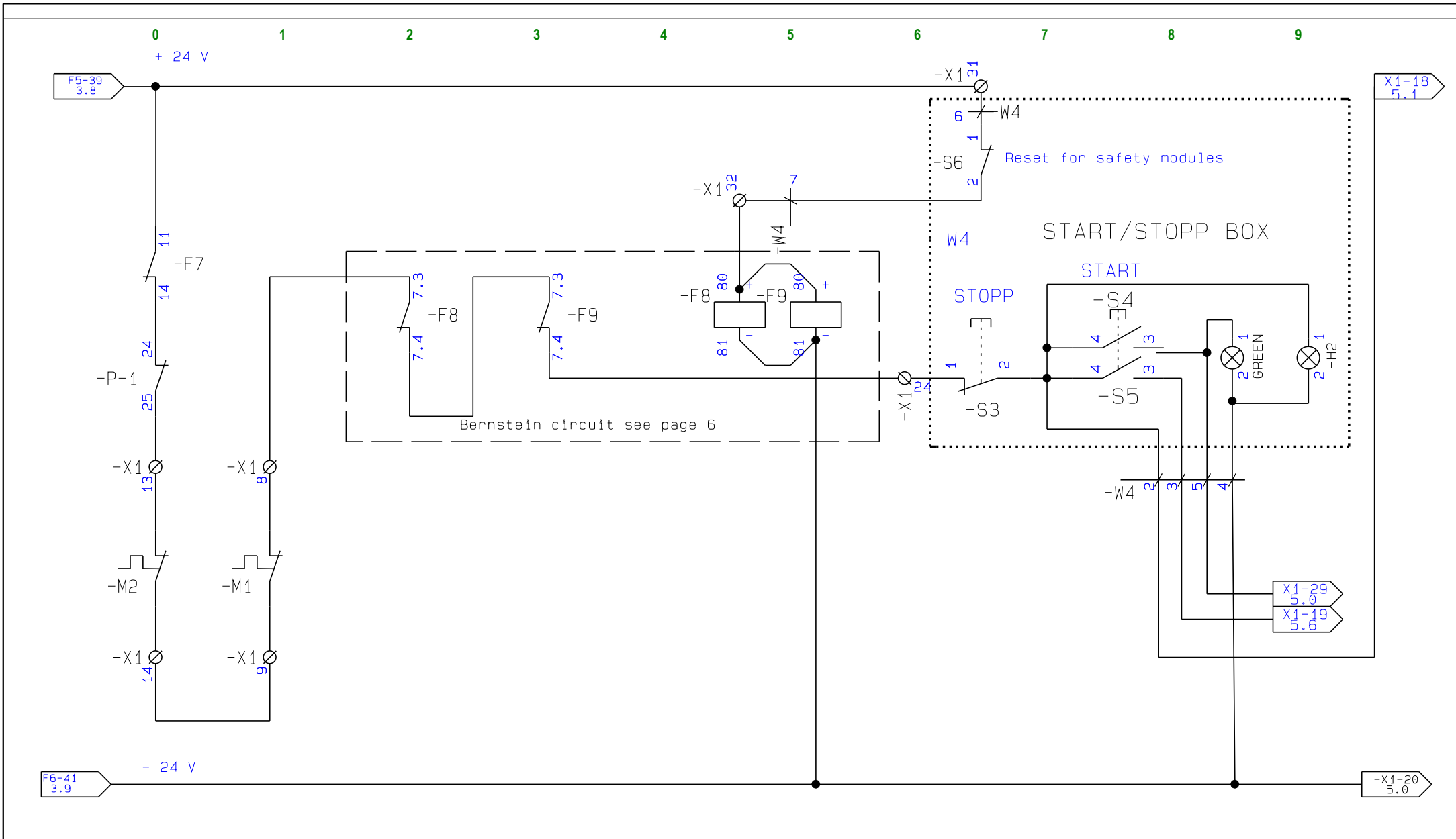
Number of pages: 8



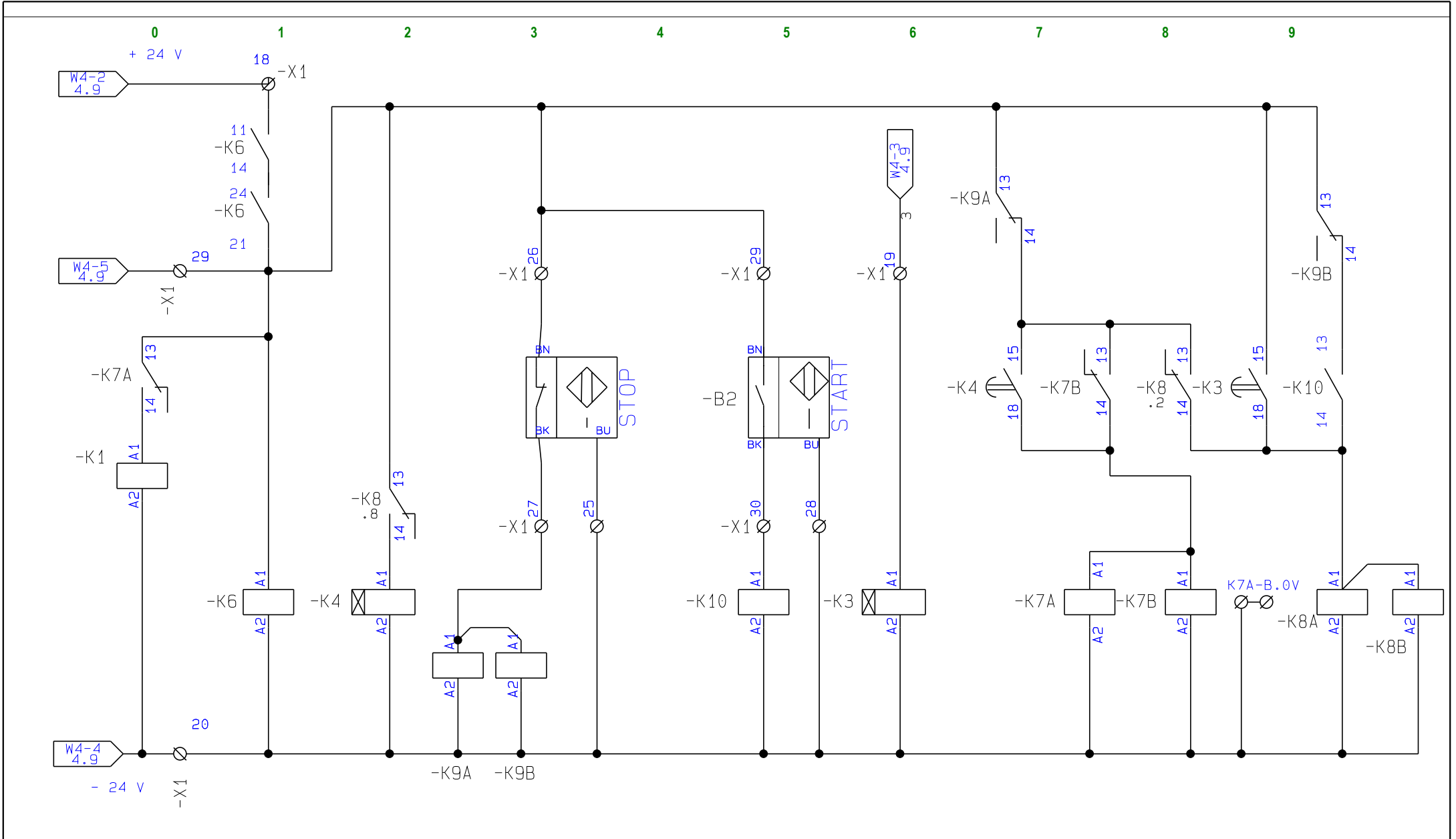
Baader IS-033 400V-480V


	1
	2
Power wiring	3
Control circuit	4
Control circuit	5
Mechanical layout	6
Frequency converter programming	7
	8
	9
	10



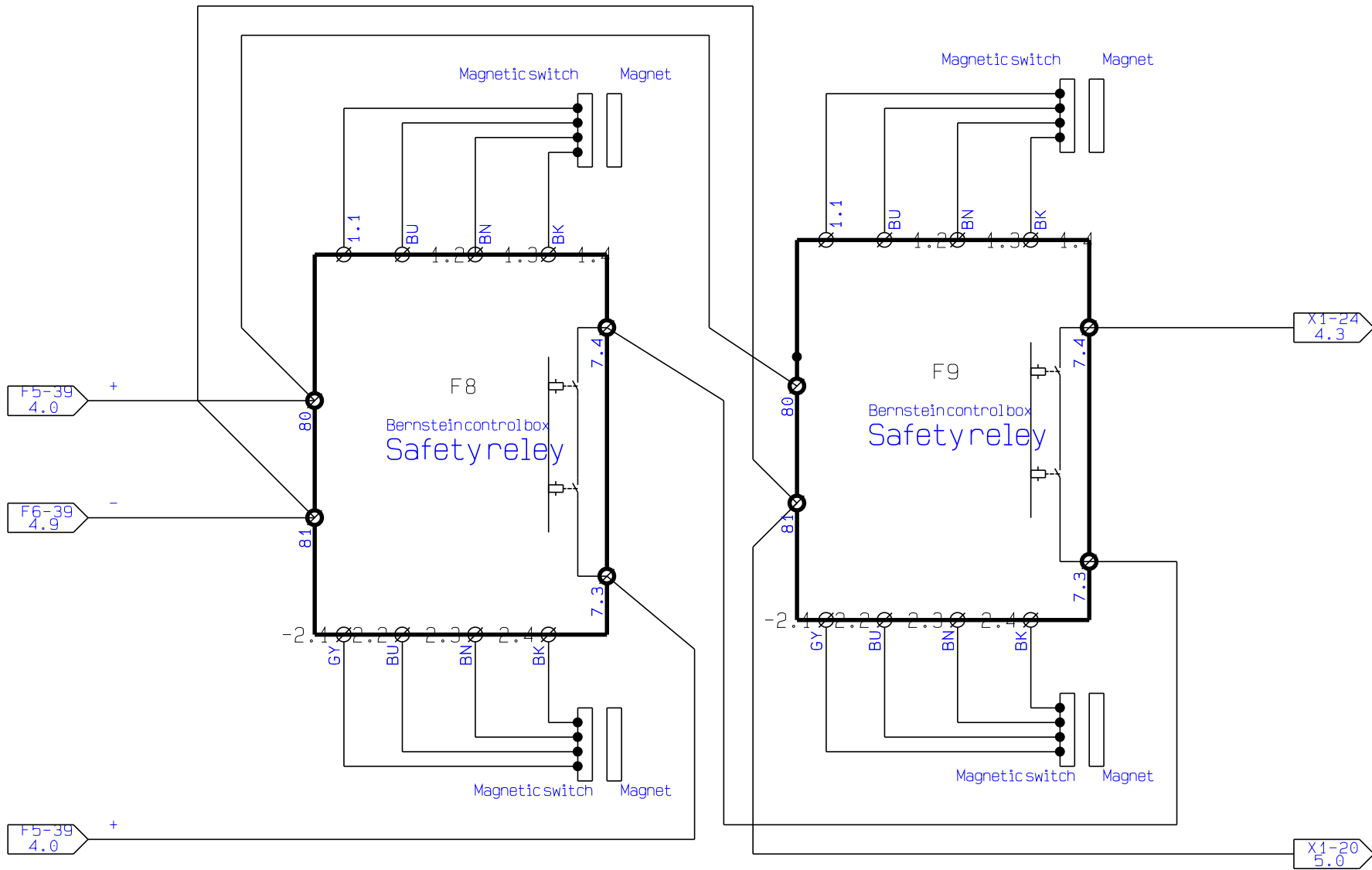


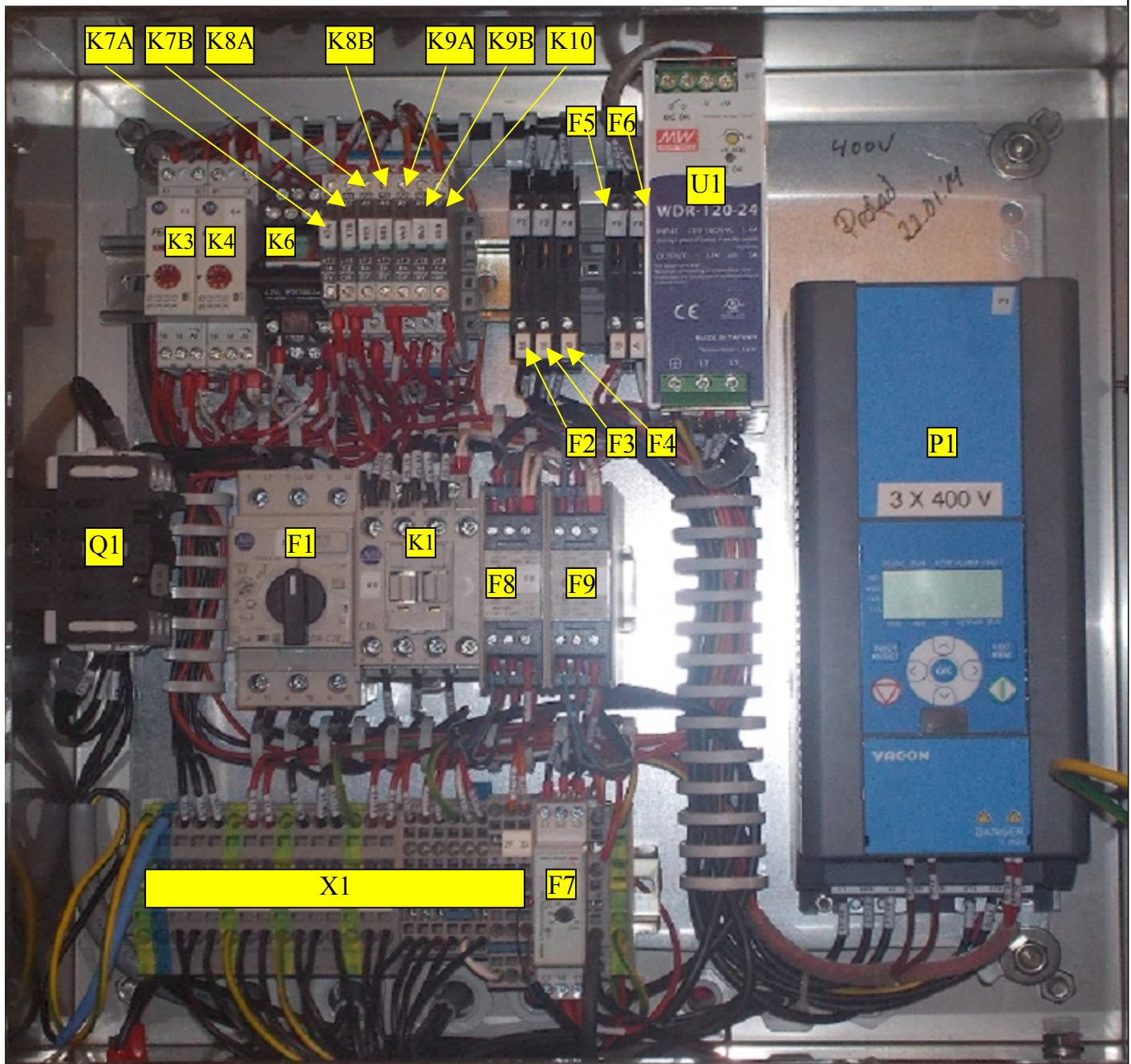
Project title:	Baader IS-033 400V-480V	Project no.:	EL.IS-033.400V.R10	Page	4
Customer:	Baader Island ehf	Constructor	Guðbrandur	Number of pages:	8
Page title:	Control Circuit	Designer	Guðbrandur		
Filename:	Baader IS-033 400V R10	Drawing	Jón Valur Valsson		



 BAADER ÍSLAND ehf	Project title: Baader IS-033 400V-480V	Project no.: EL.IS-033.400V.R10	Page 5
	Customer: Baader Island ehf	Constructor Guðbrandur	Number of pages: 8
	Page title: Control Circuit	Designer Guðbrandur	
	Filename: Baader IS-033 400V R10	Drawing Jón Valur Valsson	

Circuit included in control circuit page 4





Name	Number	Position
Switch Disconnecter	07-6071685	Q1
Motor Switch	07-6064668	F1
Fuse Holder	07-3004100	F2-F6
Fuse	07-6115035	F2-F4
Fuse	07-6115065	F5-F6
Phase Monitor	07-DPA53CM48	F7
Safety Relay	79-6392702307	F8-F9
Power Supply	07-6065365	U1
Frequency Converter	07-6065667	P1
Contactors 24V DC	07-6061831	K1
Time Delay	07-6063040	K3-K4
Plug-in Relay Coupler	07-LZS:PT55T5A5L24	K6
Optocoupler Relay	07-SA3TX70 04-3PB74	K7A-K10

Programming Vacon frequency converter for IS-033 400V

- In the main menu press down arrow until P is shown on the screen
- To enter Parameter menu press OK
- To switch between parameters press up and down arrow

Note: To view all parameters it is necessary to put P17.2 to value 0

Parameters for IS-033 400V

Code	Parameter	Value
P1.1	Motor nominal voltage	400V
P1.2	Motor nominal Frequency	50 Hz
P1.3	Motor nominal speed	1440
P1.4	Motor nominal current	12A
P1.5	Motor cos	0.85
P1.7	Current limit	18
P1.15	Torque boost	1
P2.1	Remote control place 1 selection	0
P2.2	Start function	0
P2.3	Stop function	1
P3.1	Min frequency	50Hz
P3.2	Max frequency	50Hz
P3.3	Remote control place 1 frequency reference selection	1
P3.4	Preset speed 0	50Hz
P4.2	Acceleration time	3.0
P4.3	Deceleration time 1	0.5
P4.7	Flux Braking	1
P4.8	Flux braking current	6
P17.2	Parameter conceal	0

For other parameters refer to factory settings