

# Electrical drawing

## IS-033 230V

Page title: Front Page

**Project title:** Baader IS-033 230V

**Project no.:** EL.IS-033.230V.R09

Filename: Baader IS-033 230V R9

Last correction: 6.8.2015

Constructor Guðbrandur

Designer Guðbrandur

Drawing Jón Valur Valsson

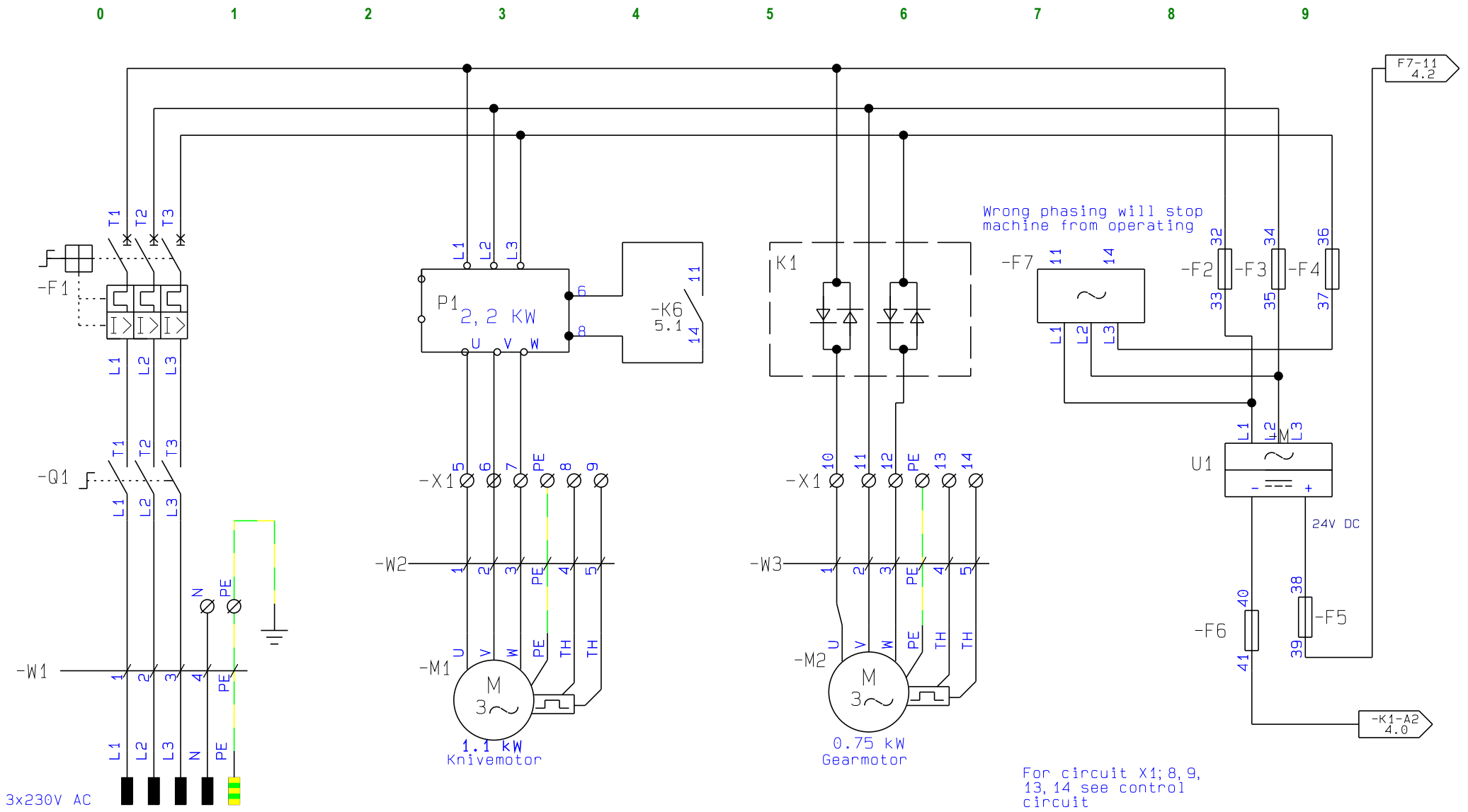
**Page** 1

Number of pages: 8

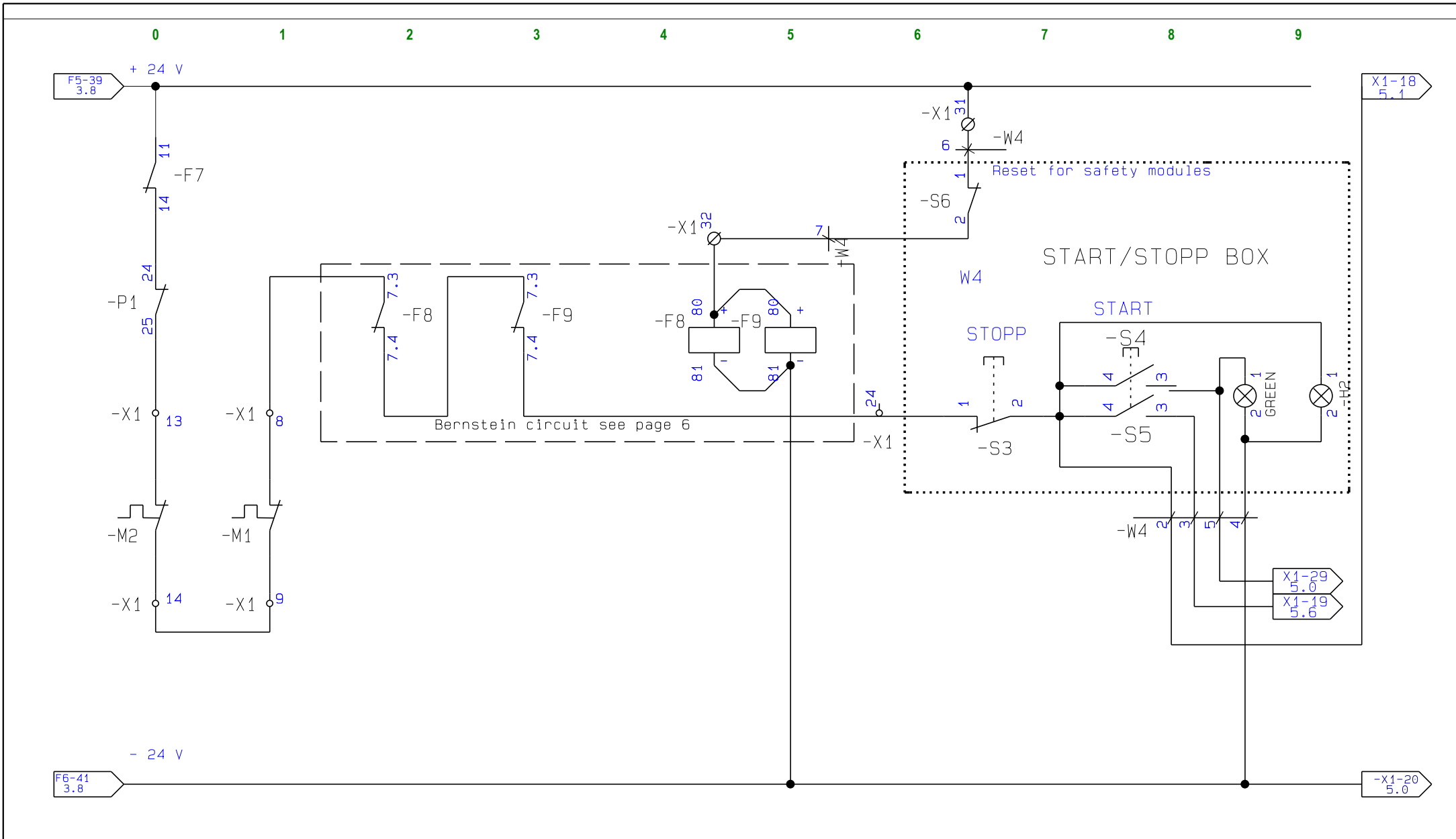


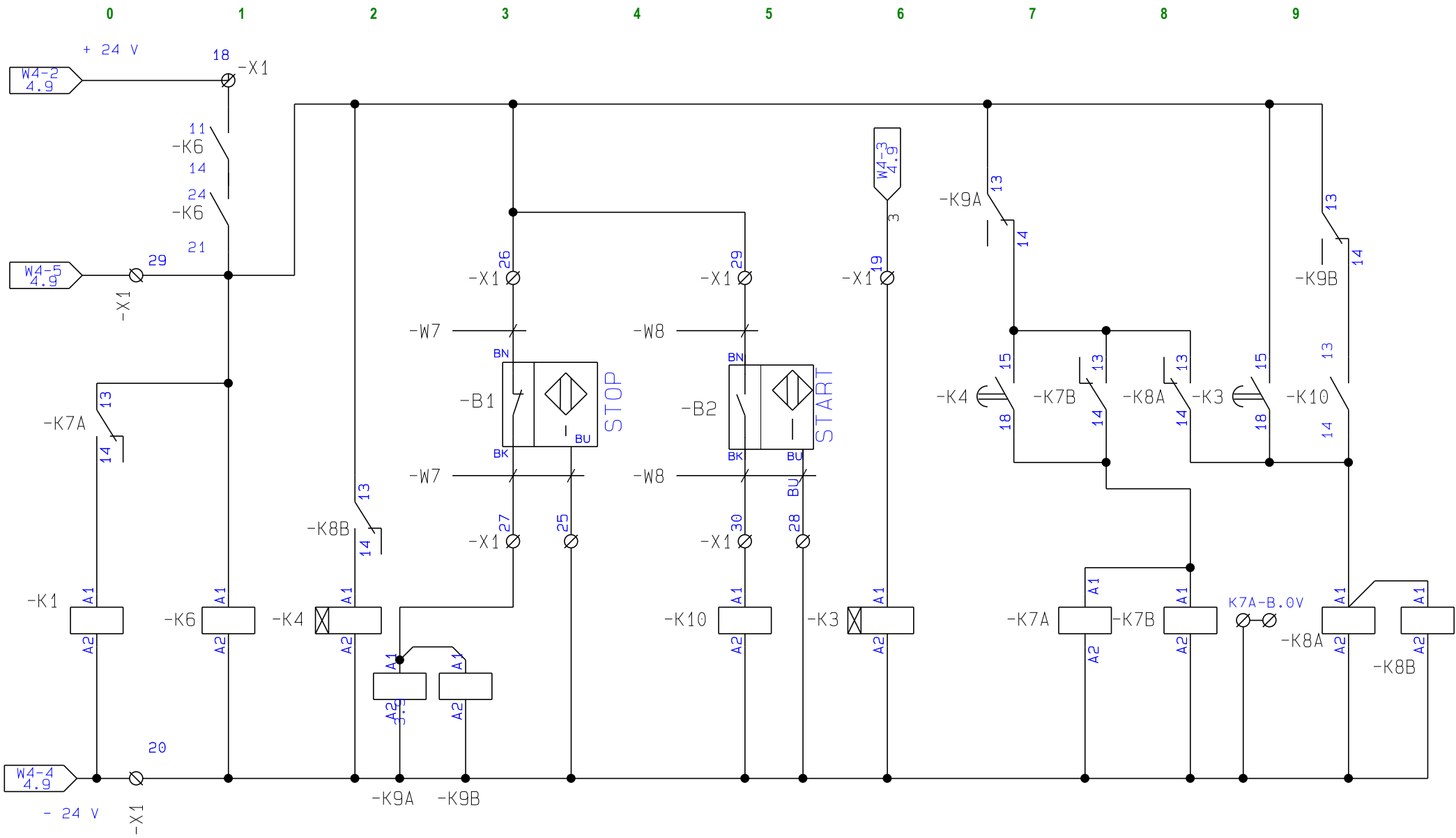
# Baader IS-033 230V

	<b>1</b>
	<b>2</b>
Power wiring	<b>3</b>
Control circuit	<b>4</b>
Control circuit	<b>5</b>
Mechanical layout	<b>6</b>
Frequency converter programming	<b>7</b>
	<b>8</b>
	<b>9</b>
	<b>10</b>

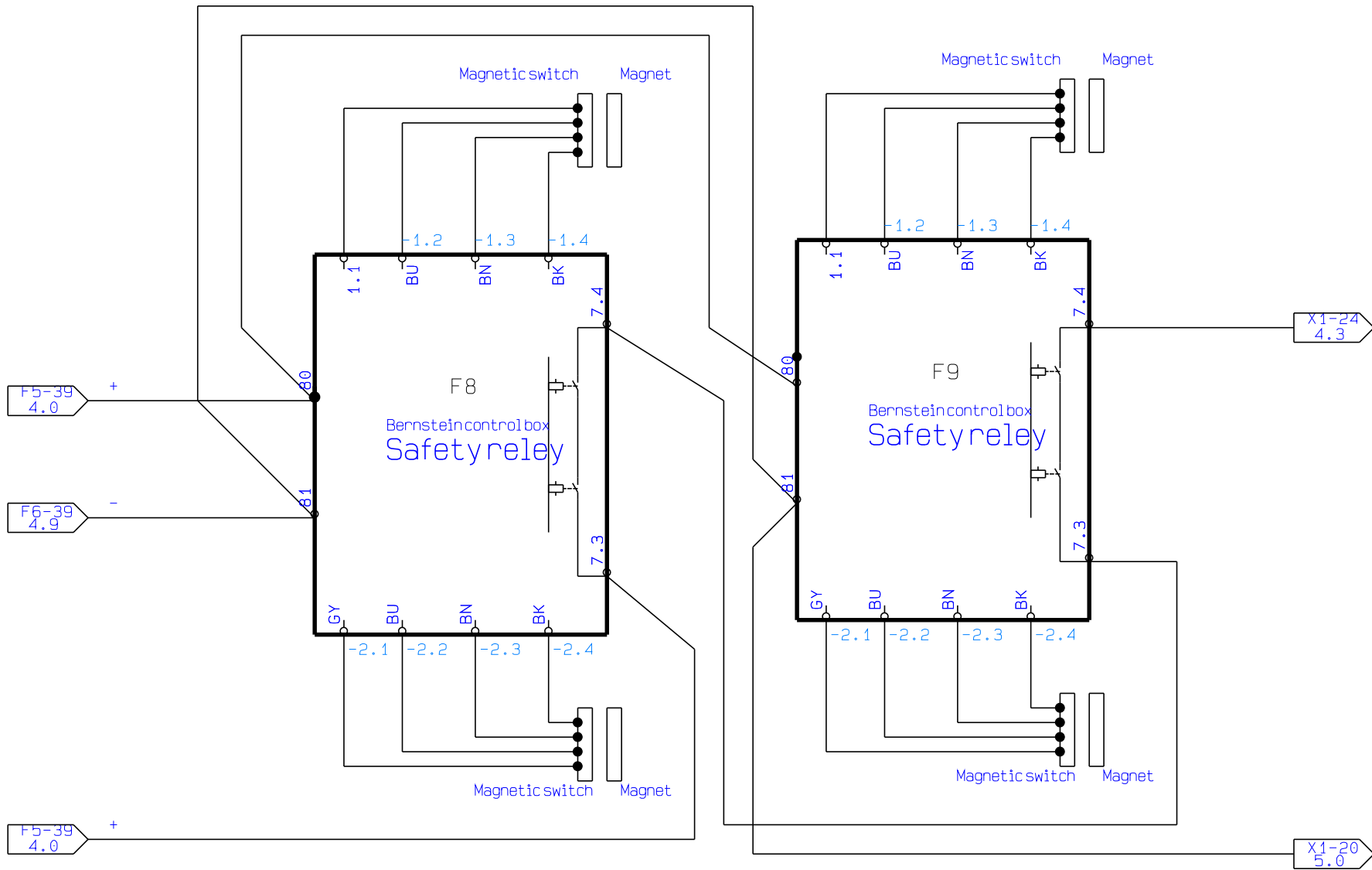


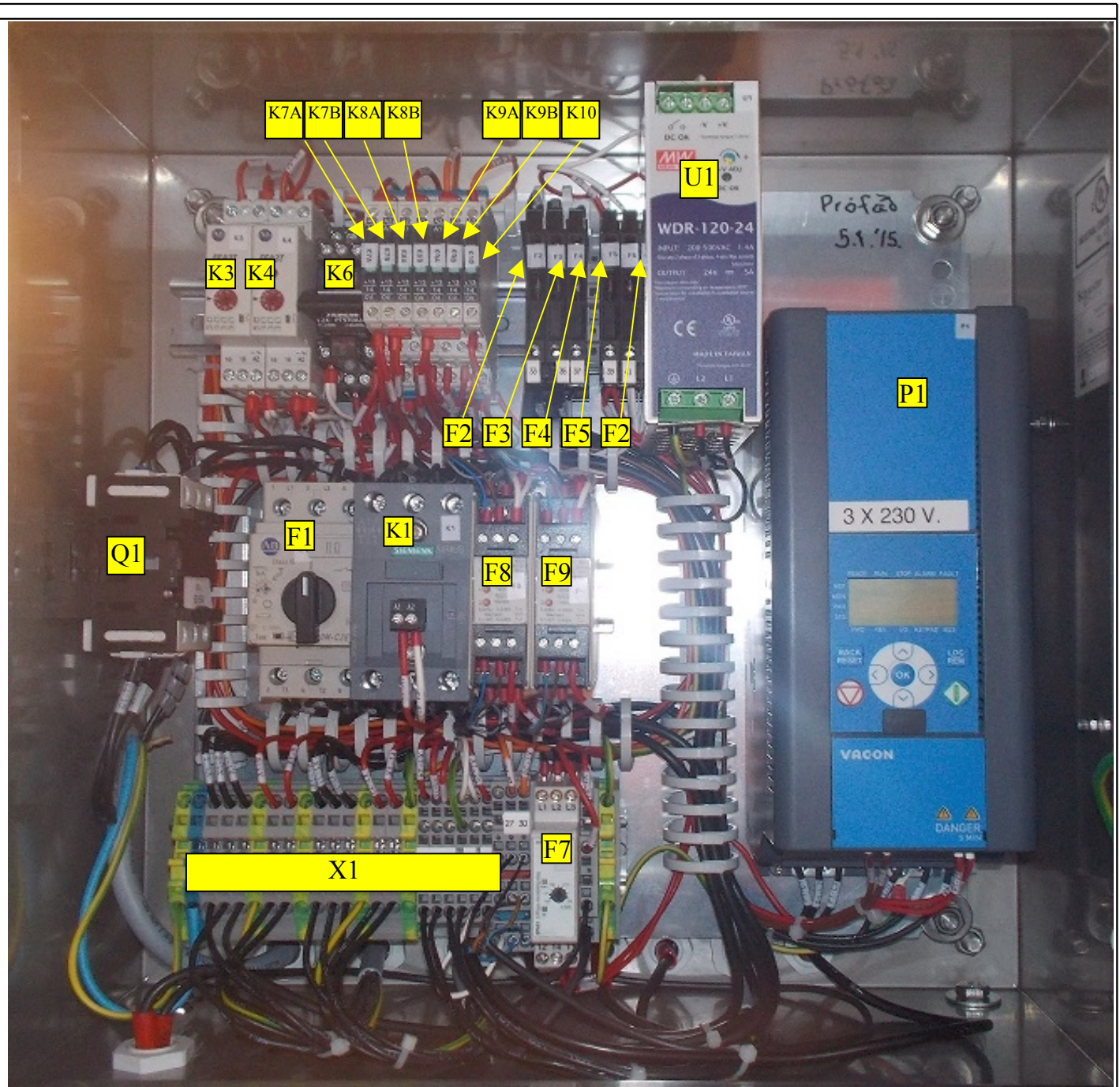
<b>Project title:</b>	Baader IS-033 230V	<b>Project no.:</b>	EL.IS-033.230V.R09	<b>Page</b>	3
<b>Customer:</b>	Baader Island ehf	<b>Constructor</b>	Guðbrandur	<b>Number of pages:</b>	8
<b>Page title:</b>	Power Wiring	<b>Designer</b>	Guðbrandur		
<b>Filename:</b>	Baader IS-033 230V R9	<b>Drawing</b>	Jón Valur Valsson		





Circuit included in control circuit page 4





Name	Manufacturer	Spare part number	Position
Motor Switch	AB	6064668	F1
Power Supply	Mean Well	07-6065365	U1
Semi Contactor 24V DC	Siemens	6061831	K1
Phase Monitor	Carlo Gavazzi	DPA53CM23	F7
Fuse Holder	Phönix	3004100	F2-F6
Fuse - 1 A	N/A	6115035	F4 - F6
Fuse - 4 A	N/A	6115065	F7 - F8
Connector	Phönix	3031953	X1
Frequency Converter	Vacon	6065680	P1
Time Delay	AB	6063040	K3-K4
Control Relay	Siemens	SALZS:PT5A5L24	K6
Safety Relay	Bernstein	6392702307	F8-F9
Semi Optocoupler Relay	Siemens	SATX7 004-3PB74	K7A-K10

Page title: Mechanical layout (A4)

Project title: Baader IS-033 230V

Project no.: EL.IS-033.230V.R09

Filename: Baader IS-033 230V R9

Page 7

Last correction: 22.9.2015

Number of pages: 8

Constructor: Guðbrandur

Designer: Guðbrandur

Drawing: Jón Valur Valsson

## Programming Vacon frequency converter for IS-033 230V

- In the main menu press down arrow until P is shown on the screen
- To enter Parameter menu press OK
- To switch between parameters press up and down arrow

**Note:** To view all parameters it is necessary to put P17.2 to value 0

### Parameters for IS-033 230V

Code	Parameter	Value
P1.1	Motor nominal voltage	230V
P1.2	Motor nominal Frequency	50Hz
P1.3	Motor nominal speed	1400
P1.4	Motor nominal current	11A
P1.5	Motor cos	0.85
P1.7	Current limit	16,5
P1.15	Torque boost	1
P2.1	Remote control place 1 selection	0
P2.2	Start function	0
P2.3	Stop function	1
P3.1	MIn frequency	50 Hz
P3.2	Max frequency	50Hz
P3.3	Remote control place 1 frequency reference selection	1
P3.4	Preset speed 0	50 Hz
P4.2	Acceleration time	3.0
P4.3	Deceleration time 1	0.5
P4.7	Flux Braking	1
P4.8	Flux braking current	8
P17.2	Parameter conceal	0

For other parameters refer to factory settings