

**Improve your capacity -
reduce your labor costs!**

Filleting Machine

BAADER 580

*for Cod, Saithe,
Haddock*



Customer Benefits:

- Good filleting results on soft fish
- Provides consistent yield performance
- Smooth fillet surface
- Less trimming required
- Easy cleaning and maintenance



Result of defrosted Haddock

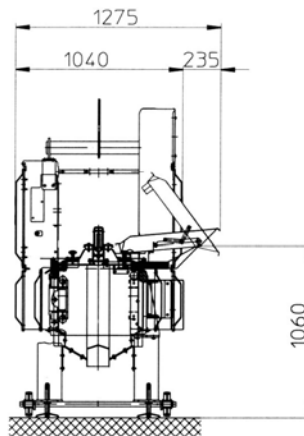
Machine Applications and Features:

The BAADER 580 is a compact filleting machine for Whitefish.

The machine processes headed & gutted fish without collar bone. High yield, smooth clean cuts and careful handling of the raw material are achieved on this machine by means of the saddle transport system.



good hygienic design



Technical Data

- Working range:
approx. 30-70cm total fish length
- Throughput: up to 36 fish/min
- Operator: 1 person for loading
- Water consumption: approx. 15 l/min.
- Power consumption: approx. 3,3 kW
- Dimensions: see sketch

The indicated limits of the working ranges may vary as a function of the proportion, quality and nutritional condition of the fish. In order to achieve an optimal result, it is recommended to adjust the machine within its working range to the fish sizes mainly to be processed. Live fish and those in the state of rigor mortis cannot be processed.

Illustrations and dimensions are approximate and not binding. Subject to design changes in the interest of technical progress. Actual scope of supply is specified in our quotations and order confirmations and may differ from descriptions and photos of this leaflet.

Attention!

For the illustration of technical details the safety devices and protection mechanisms are partly not shown in operative condition.

When operating the machine, all corresponding devices and instructions referring to the safety of the machine are to be utilised and/or observed!

